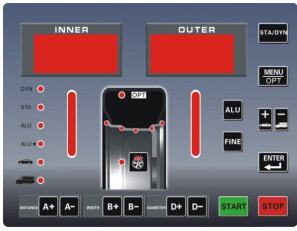


AUTOMASTER 462

Truck & Car Wheel Balancer

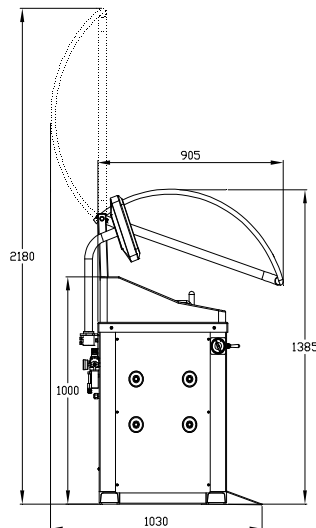


FEATURES

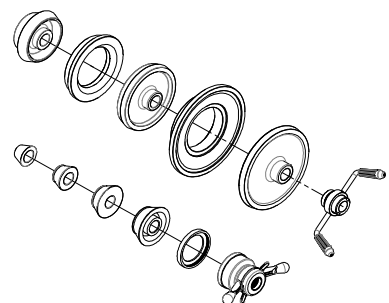
- Self calibration
- Ounce/ gram selectable
- mm/inch selectable
- Normal, Static, AL1, AL2, balance modes
- Multiple cones and spacer plates
- Back or front mounting
- Large weight tray capacity
- Pneumatic wheel lift
- Includes space saving Safety hood
- Foot pedal holding brake
- Optional 5 arm stud adapter

SPECIFICATIONS

Max. wheel weight	200kg
Wheel diameter	1200mm
Rim diameter	10" - 32" (255 - 810mm)
Wheel width	1.5" - 20" (39 - 510mm)
Balancing precision	±1g for Car / ±10g for Truck
Shaft Diameter	40mm
Cycle time	7s for Car / 15s for Truck
Balancing speed	150 rpm Car / 90rpm Truck
Air Supply	8-10 bar
Power supply	220V
Motor power	250w
Noise level	< 70 dbA
Gross weight	150kg
Warranty	1 Year



STANDARD ACCESSORIES



Visit www.automaster.co.nz for a video showing this balancer in action.